



## Technical data

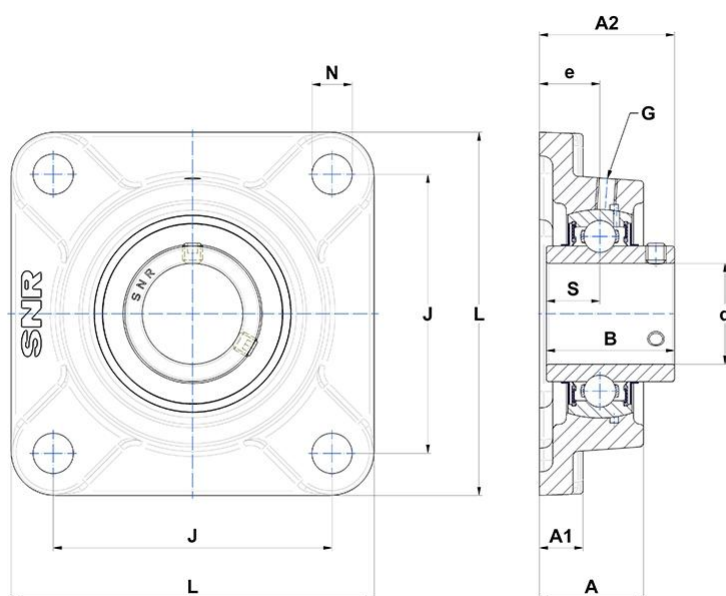
### UCF320 Bearing units

Grey cast housing, radial insert ball bearing with socket set screws, seal with slinger

#### KIT CONTENT

UC320G2, F320

#### VISUAL (S)



#### PRODUCT DEFINITION

<b>Brand</b>	SNR
<b>A - Housing height</b>	94 mm
<b>A1 - Housing foot height / flange height</b>	32 mm
<b>A2 - Total height from mounting surface</b>	125 mm
<b>B - Width of Inner Ring</b>	108 mm
<b>d - Shaft diameter</b>	100 mm

**PRODUCT DEFINITION**

<b>e - Distance mounting surface to bearing center</b>	59 mm
<b>G - Grease fitting</b>	M10x1
<b>J - Mounting holes distance</b>	242 mm
<b>L - Housing width / diameter</b>	310 mm
<b>N - Mounting hole dimension</b>	38 mm
<b>S - Distance front side/bearing centre</b>	42 mm

**PRODUCT PERFORMANCE**

<b>C - Dynamic load rating</b>	171.6 kN
<b>C0 - Static load rating</b>	140 kN
<b>Operating temperature min.</b>	-20 °C
<b>Operating temperature max.</b>	100 °C

**OTHER FEATURES**

<b>Mass</b>	25.6 kg
<b>Recommended tightening torque for set screw</b>	75 N-m